

## DMT Ladder

### DMT

#### Description:

The DMT ladder is designed for a square tower. DMT ladder has two stiles and may be equipped with Fall Arrest (FA) system. The ladder is mounted inside the tower and has a positive climbing direction.

The ladder consists of following elements:

- 2 stiles Ø20 with 400 mm distance
- rungs Ø20 per 300 mm
- 0,53m cable ladder L50x30x3,0 per 1m at each side
- 2 stiles Ø20 for cable ladder installation

#### Specification:

The steel is hot dip galvanized according to BS/EN ISO 1461.

The design of the ladder is made according to:

BS/EN 1993-3-1 – Design of steel structures – Towers, masts and chimneys.

The following data should be used for tower design:

	Wind drag area	Theoretical weight
Ladder	0,20 m <sup>2</sup> /m	15,8 kg/m
Ladder+wire	0,21m <sup>2</sup> /m	16,1 kg/m
Ladder+rail	0,27 m <sup>2</sup> /m	19,1 kg/m

Wind drag area m<sup>2</sup>/m, (including wind drag coefficients and a shielding factor as 0,8) and theoretical weight kg/m.

#### Installation:

The ladder is mounted inside the tower and has a “positive” climbing direction/position. A cable ladder on both sides connects the ladder to the structure.

Can be installed in tower Series 16

The ladder is installed with u-bolts.

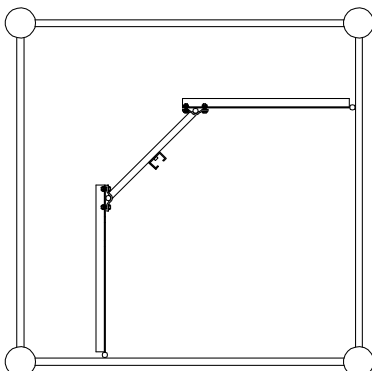


Figure: DMT Ladder Top view

