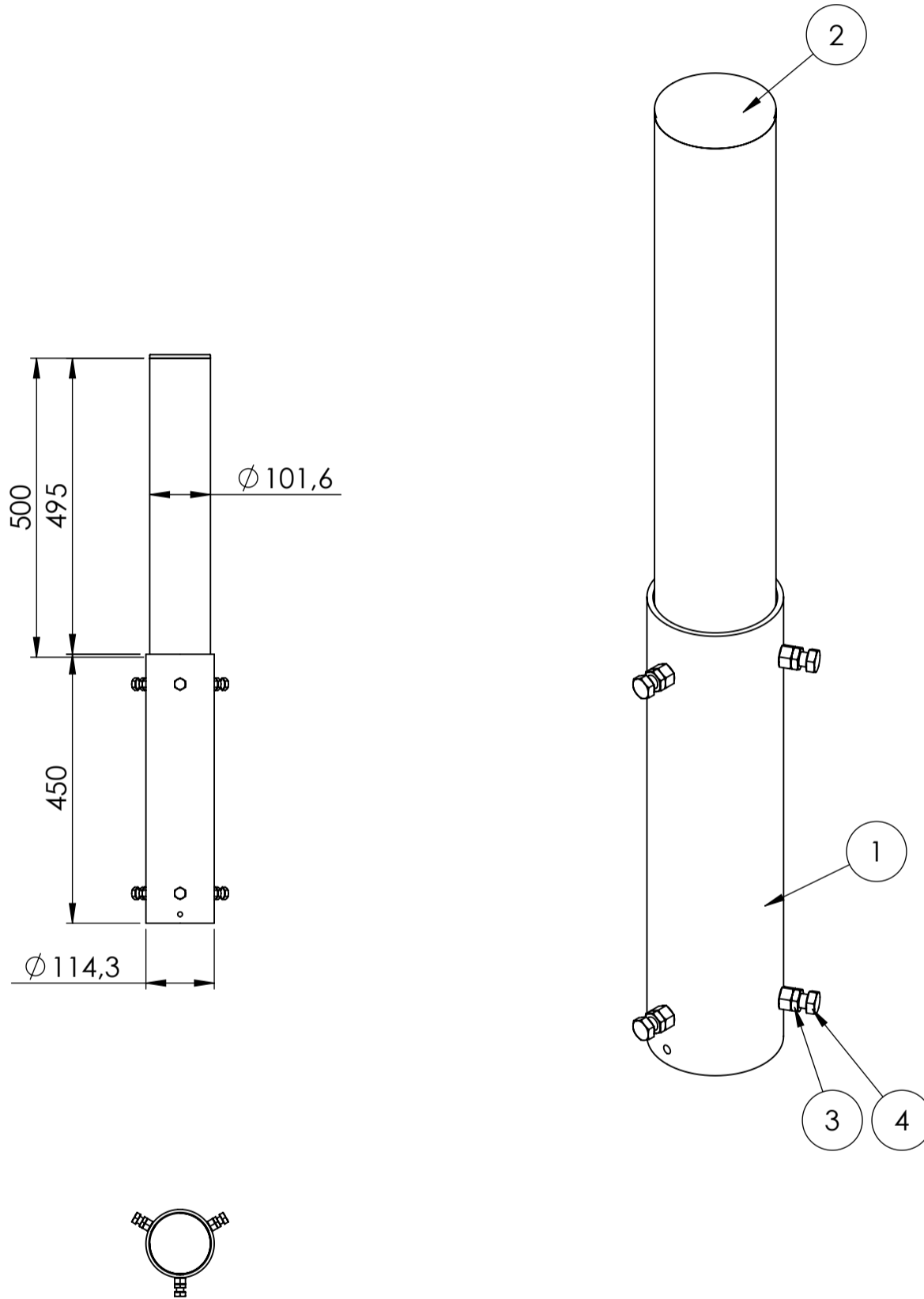
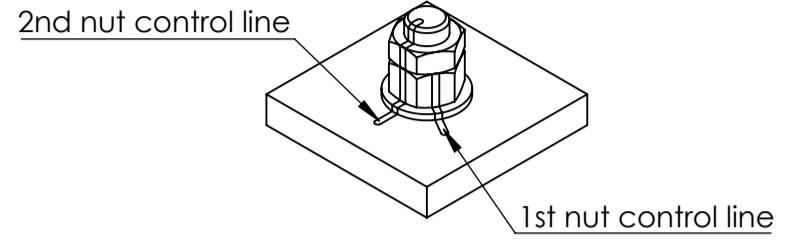


Installation:

1st nut should be spanned to a tight condition.
 2nd nut should be brought at least to a snug-tight condition, with special care being given to avoid over-tightening.
 Nut-marking should be made acc. to figure after torque.

Maintenance:

Visual inspection of bolt torque and any loose items is made 1 year after installation, and afterwards every 5th year.
 Check if the marking from bolt torque is still straight.
 Check if the corrosion protection system is satisfactory.
 Any findings must be repaired as soon as possible.



ITEM NO.	PART NUMBER	DESCRIPTION	QTY.
1	ET-Ø101_V500	Extension tube f. Ø101,6 - V500	1
2	GL 101x3.6-6	tubular legs for Ø101,6	1
3	ISO - 4035 - M12 - N		6
4	ISO 4017 - M12 x 30-N		6

Rev.:	Int.:	Date:	Comment		
Customer.:					
Subjekt.: Extension tube f. Ø101,6 - V500					
Date.: 19-10-2021		Production no.:		Scale.: 1:10	
Order no.:		Calculation:		Int.: SP/MRF	
Drawing. No.: ET-Ø101 V500				Note.:	
This drawing is our property and must not be copied, transferred or in any way used by a third party without our written permission					