

**Installation:**

1st nut should be spanned with 40 - 45Nm.  
 2nd nut should shall be brought at least to a snug-tight condition, with special care being given to avoid over-tightening.  
 Nut-marking should be made acc. to figure after torque.

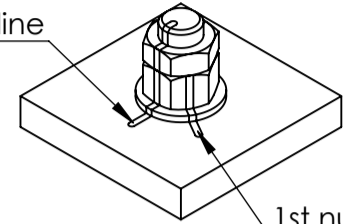
**M16 nut:**

1st nut should be spanned with 80 - 85Nm.  
 2nd nut should shall be brought at least to a snug-tight condition, with special care being given to avoid over-tightening.  
 Nut-marking should be made acc. to figure after torque.

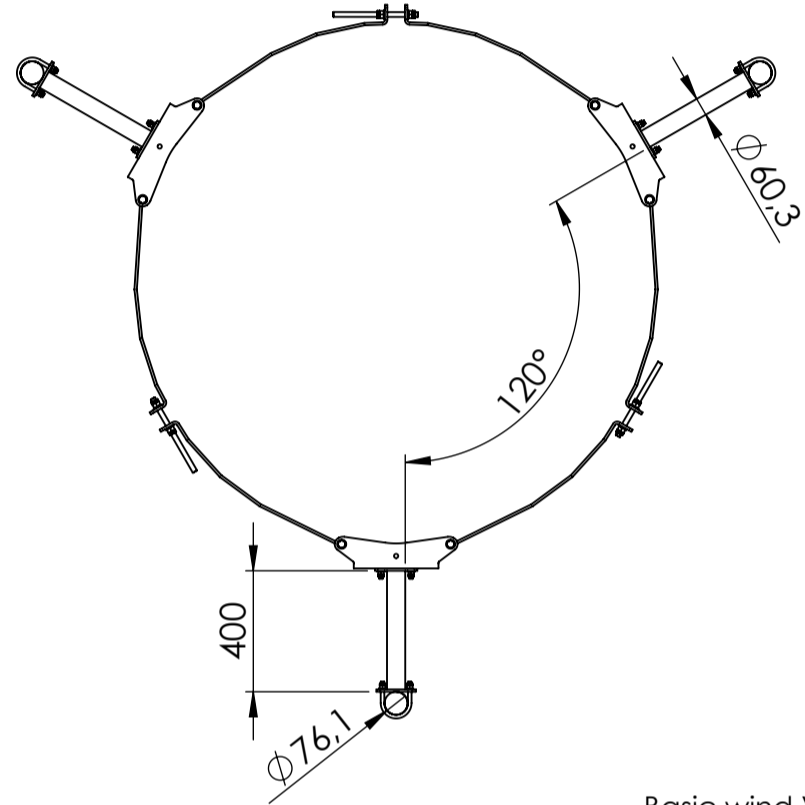
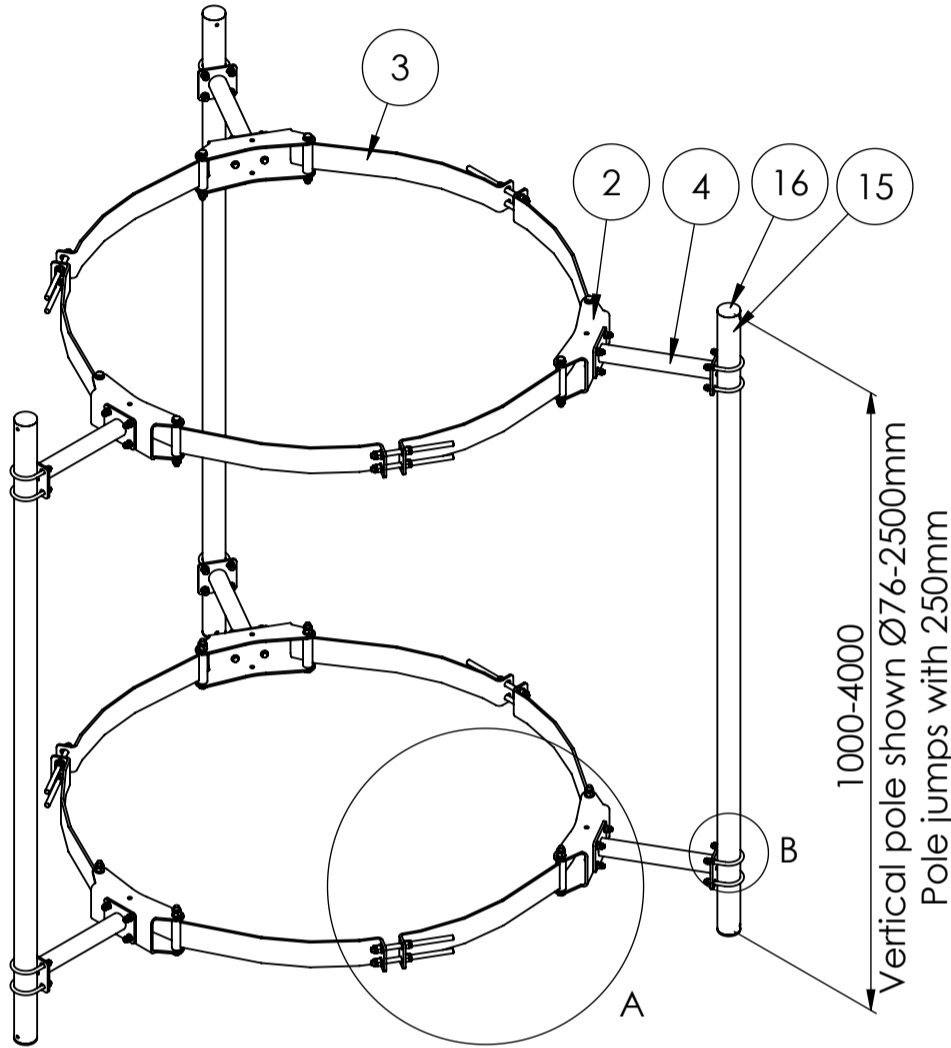
**Maintenance:**

Visual inspection of bolt torque and any loose items is made 1 year after installation, and afterwards every 5th year.  
 Check if the marking from bolt torque is still straight.  
 Check if the corrosion protection system is satisfactory.  
 Any findings must be repaired as soon as possible.

2nd nut control line

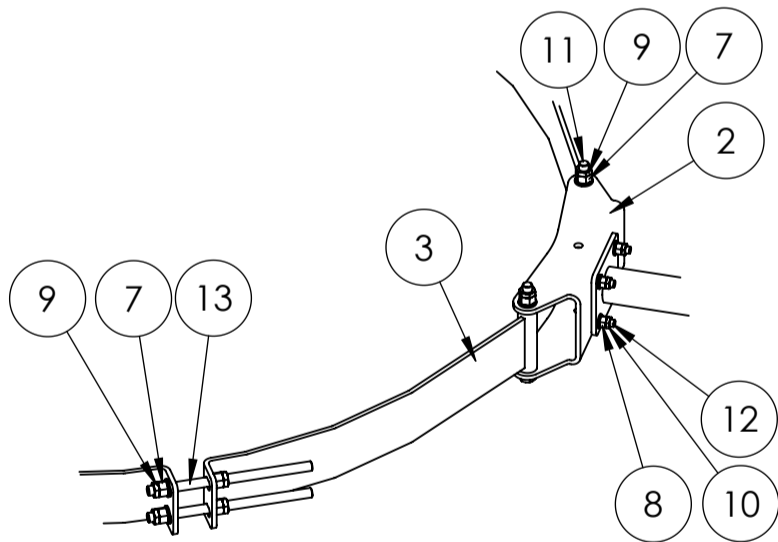


1st nut control line

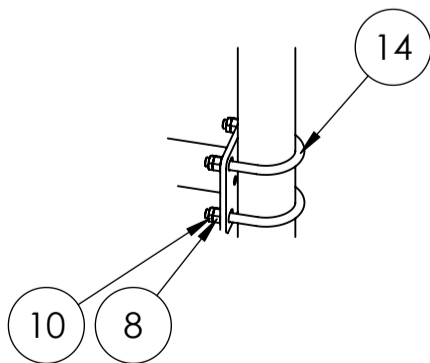


Basic wind  $V_{b,0} = 27 \text{ m/s}$   
 Terrain class TC = 1  
 Max height of installation = 70m

Max loads per 1 mount pole from equipment: 150kg,  $C_xA=1.6m^2$





DETAIL A  
 SCALE 1 : 12.5



DETAIL B  
 SCALE 1 : 10

ITEM NO.	PART NUMBER	DESCRIPTION	QTY.
2	VB-Ø1000-3000 300	Horizontal pole bracket Ø1000-3000	6
3	VBA-Ø1710-1820	Horizontal bracket for Ø1710-1820	12
4	CVB_H400	Horizontal pole for C and V bracket - Vertical Ø60,3-76,1	6
5	Washer ISO 7089 - 16		48
6	Washer ISO 7089 - 12		72
7	ISO - 4032 - M16 - W - N		36
8	ISO - 4032 - M12 - W - N		48
9	ISO - 4035 - M16 - N		36
10	ISO - 4035 - M12 - N		48
11	ISO 4014 - M16 x 180		12
12	ISO 4017 - M12 x 45-N		24
13	M16x280 DIN976	Horizontal pole bracket pin-bolts	12
14	U-bolt M12 C-C = 90		12
15	Pole Ø76-2500	Vertical pole Ø76,1 - length: 2500	3
16	GL 76x1.6-4	tubular legs for Ø76,1	6

Rev.:	Int.:	Date:	Comment	
Customer.:				
Subjekt.: Antenna offset f. Ø1710-1820 with fixed pole				
Date.: 15-07-2020		Production no.:		Scale.: 1:25
Order no.:		Calculation:		Int.: SP/MRF
Drawing. No.: VB-Ø1710-1820 H400				Note.:
				
This drawing is our property and must not be copied, transferred or in any way used by a third party without our written permission				
Format:A3 Projection:  Tolerance: DS/EN 1090-2 DS/ISO 2768-2-L				