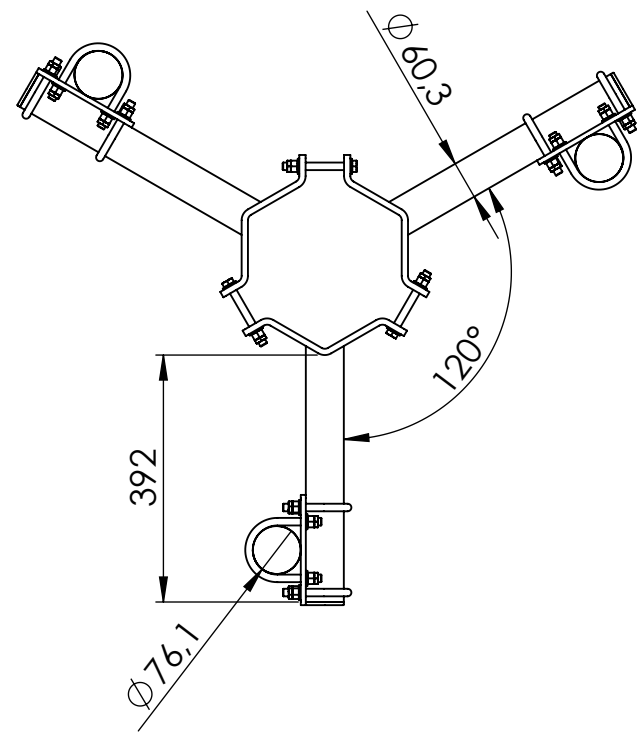
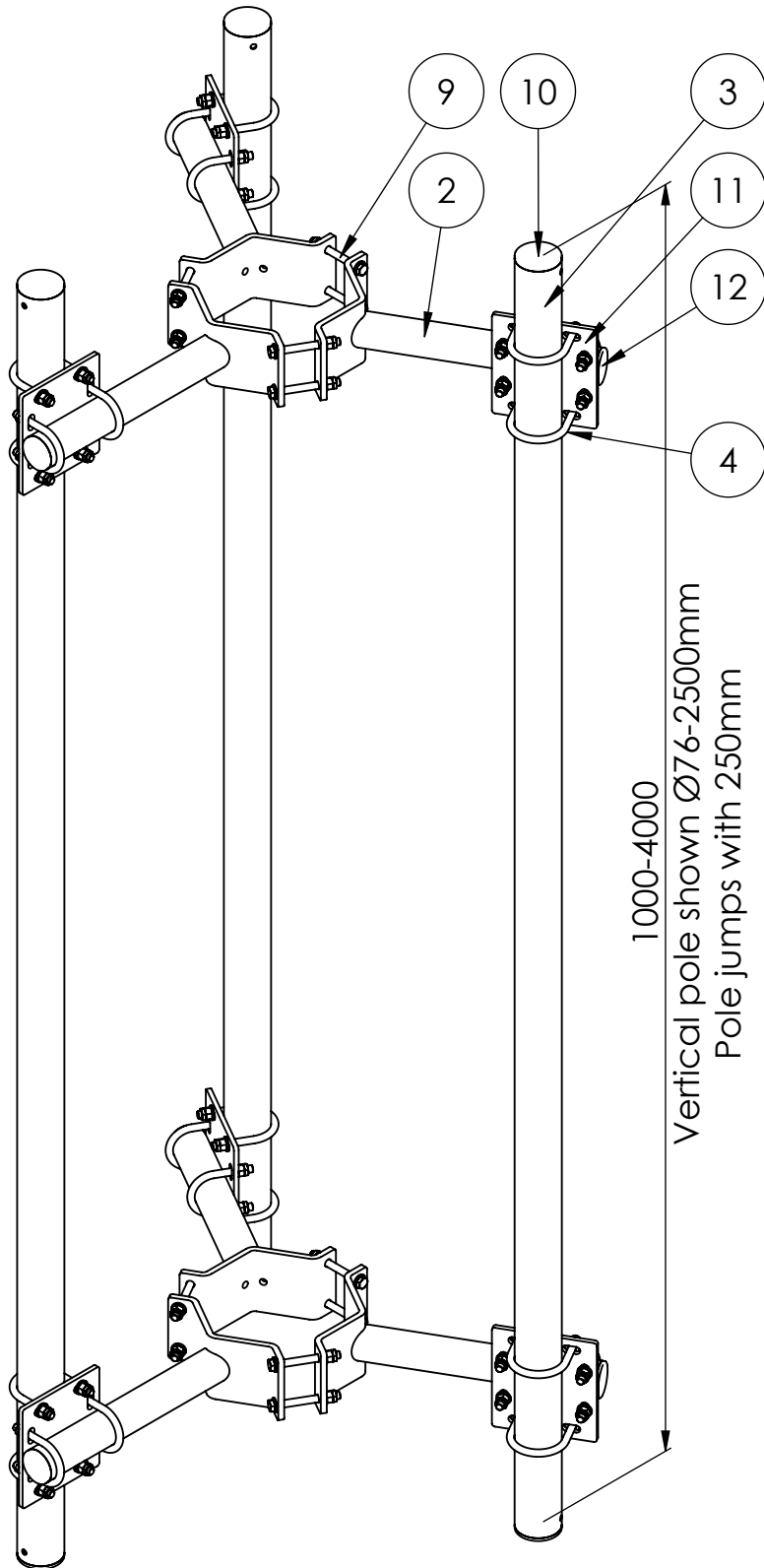
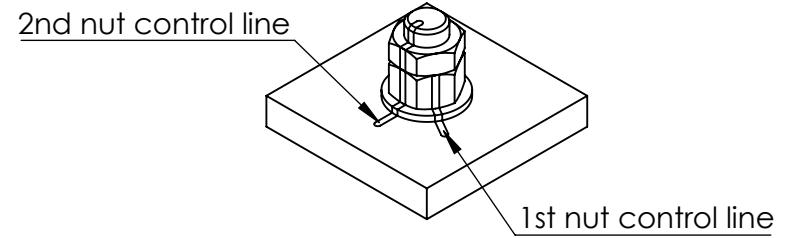


Installation:

1st nut should be spanned with 40 - 45Nm.
 2nd nut should shall be brought at least to a snug-tight condition, with special care being given to avoid over-tightening.
 Nut-marking should be made acc. to figure after torque.

Maintenance:

Visual inspection of bolt torque and any loose items is made 1 year after installation, and afterwards every 5th year.
 Check if the marking from bolt torque is still straight.
 Check if the corrosion protection system is satisfactory.
 Any findings must be repaired as soon as possible.



Basic wind $V_{b,0} = 27 \text{ m/s}$
 Terrain class $TC = 1$
 Max height of installation = 70m

Max loads per 1 mount pole from equipment: 150kg, $C_x A = 1.6 \text{ m}^2$

| ITEM NO. | PART NUMBER | DESCRIPTION | QTY. |
|----------|--------------------------|--|------|
| 2 | WBSTM_Ø193-244_H400 | Horizontal pole with WB Ø193-244 - Vertical 76,1 | 6 |
| 3 | Pole Ø76-2500 | Vertical pole Ø76,1 - length: 2500 | 3 |
| 4 | U-bolt M12 C-C = 90 | | 12 |
| 5 | U-bolt M12 C-C = 75 | | 12 |
| 6 | Washer ISO 7089 - 12 | | 72 |
| 7 | ISO - 4032 - M12 - W - N | | 60 |
| 8 | ISO - 4035 - M12 - N | | 60 |
| 9 | ISO 4017 - M12 x 110-N | | 12 |
| 10 | GL 76x1.6-4 | tubular legs for Ø76,1 | 6 |
| 11 | MB-Ø60-76 300 | Bracket vertical pole Ø60,3-76.1 | 6 |
| 12 | GL 60x3-5 | tubular legs for Ø60,3 | 6 |

| | | | | | |
|---|---------------------|---|---------|--------|-------------|
| Rev.: | Int.: | Date: | Comment | | |
| | | | | | |
| Customer.: | | | | | |
| Subjekt.: | | Antenna offset f. Ø193-244 with multi adjustable brackets | | | |
| Date.: | 24-06-2020 | Production no.: | Scale.: | 1:12 | Format:A3 |
| Order no.: | | Calculation: | Int.: | SP/MRF | Projektion: |
| Drawing. No.: | WBSTM_Ø193-244 H400 | Note.: | | | |
| Tolerance: DS/EN 1090-2 DS/ISO 2768-2-L | | | | | |