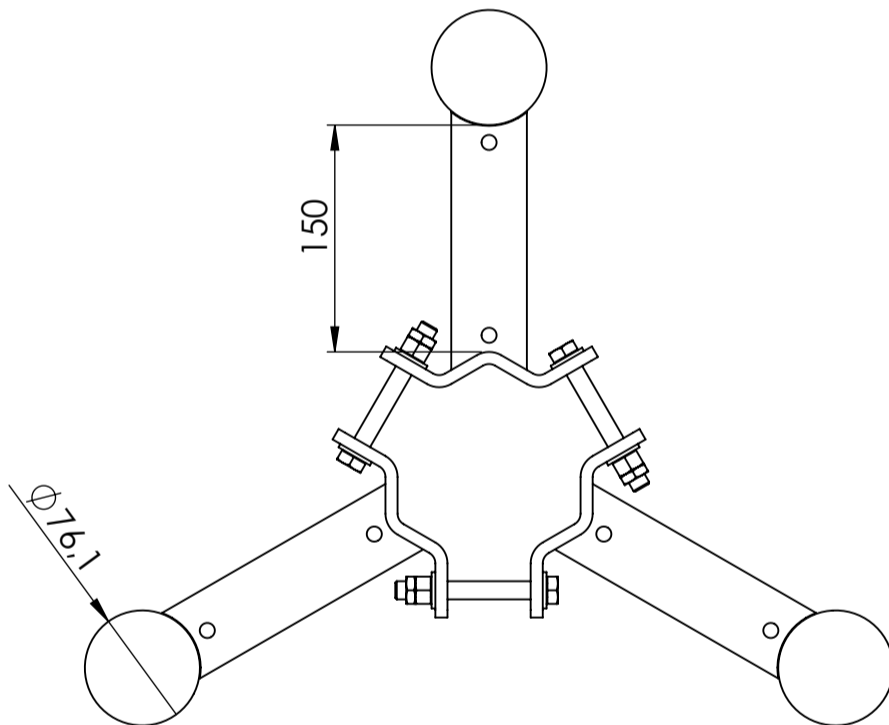
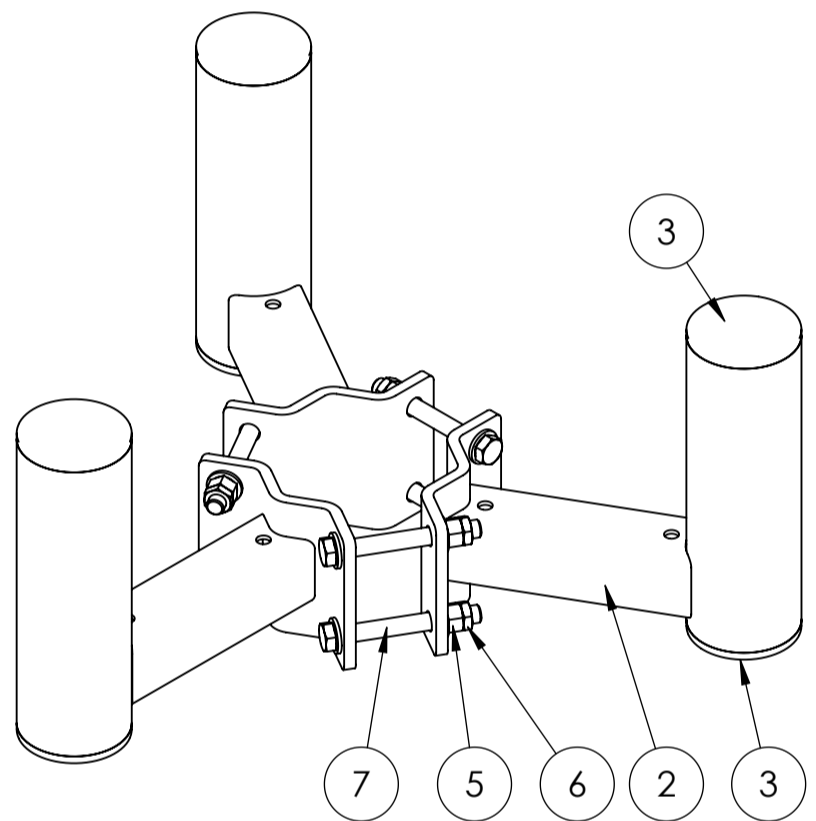
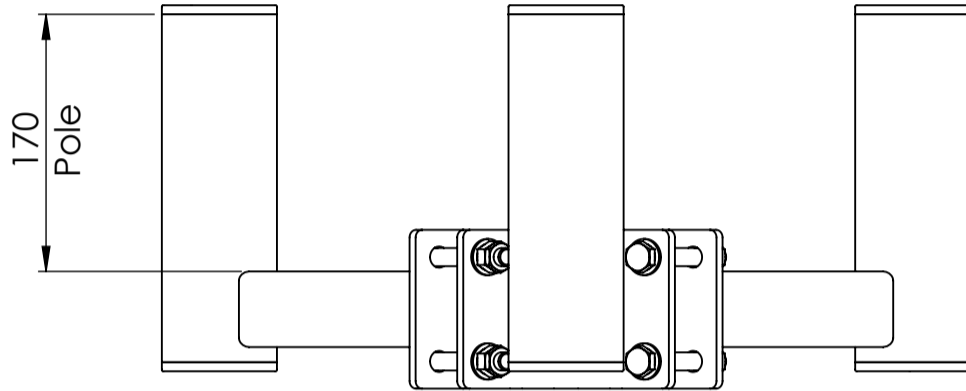
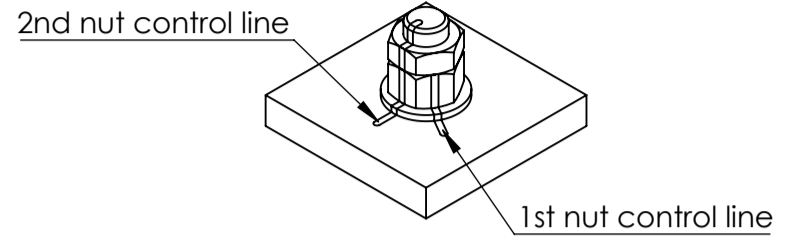


**Installation:**

1st nut should be spanned with 30Nm.  
 2nd nut should shall be brought at least to a snug-tight condition, with special care being given to avoid over-tightening.  
 Nut-marking should be made acc. to figure after torque.

**Maintenance:**

Visual inspection of bolt torque and any loose items is made 1 year after installation, and afterwards every 5th year.  
 Check if the marking from bolt torque is still straight.  
 Check if the corrosion protection system is satisfactory.  
 Any findings must be repaired as soon as possible.



Basic wind  $V_{b,0} = 27 \text{ m/s}$   
 Terrain class  $TC = 1$   
 Max height of installation = 70m

Max loads per 1 mount pole from equipment: 50kg,  $C_xA=0.5m^2$

ITEM NO.	PART NUMBER	DESCRIPTION	QTY.
1	Monopole Ø76-244		1
2	WB_Ø76-121_H150_V170	Horizontal W bracket Ø76-121 with vertical pole Ø76,1	3
3	GL 76x1.6-4	tubular legs for Ø76,1	6
4	Washer ISO 7089 - 12		12
5	ISO - 4032 - M12 - W - N		6
6	ISO - 4035 - M12 - N		6
7	ISO 4017 - M12 x 100-C		6

Rev.:	Int.:	Date:	Comment		
B	SP/KA	04-09-2024	Torque change from 40Nm to 30Nm		
Customer.:					
Subjekt.: Antenna offset f. Ø76-121 with fixed pole Ø76,1					
Date.: 23-06-2020		Production no.:		Scale.: 1:5	
Order no.:		Calculation:		Int.: SP/MRF	
Drawing. No.: WB_Ø76-121_H150				Note.:	
This drawing is our property and must not be copied, transferred or in any way used by a third party without our written permission					
Format:A3 Projection:  Tolerance: DS/EN 1090-2 DS/ISO 2768-2-L					